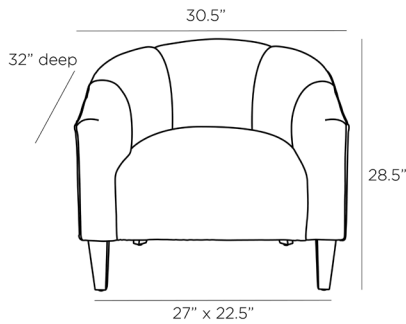


ARTERIOS

MISHA ACCENT CHAIR



8130

H: 28.5 IN, W: 30.5 IN, D: 32 IN

Peacock Velvet

Contract Suitable As Is

Luxury and comfort come together beautifully in this accent chair. Plush peacock velvet provides plush elegance, with details such as a low, arched profile and wide channel stitching above dark walnut-finished wood legs add to its elevated design. The rounded, barrel shape is one of our most comfortable styles. Fabric and finish will vary.

APPEARANCE

Material	Velvet, Wood
Finish	Dark Walnut, Peacock
Finish Will Vary	true
Top Coat/Sealant	false

DIMENSIONS

Arm	H: 24.5 IN, W: 5.5 IN, D: 13 IN
Foot Print	W: 27 IN, D: 22.5 IN
Yardage To Reupholster	3.85
Leg Height	7 IN
Seat Back Height	10.5 IN
Seat	W: 19 IN, D: 21.5 IN
Seat Height	18.5 IN
Seat	W: 19 IN, D: 21.5 IN

SHIPPING

Shipping Requirements	TruckShip
Product Weight	50 LBS
Gross Weight 1	65 LBS
Shipping Box 1	H: 32.5 IN, L: 34.5 IN, W: 36 IN

ADDITIONAL INFO

Fabric Composition	74% Cotton, 26% Polyester
Fabric Double Rub Count	150,000
Fabric Compliancy	NFPA-260, TB117-2013

CONTRACT

Contract Suitable	true
Contract Textile Suitability	High Traffic/Public Spaces
Swatch Number	V23SW